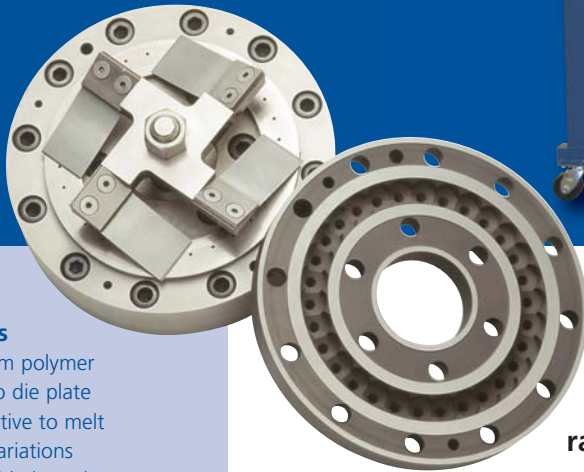


WRP-35/36S In-Line Pelletizer

New Pelletizing
Technology for:

RECLAIM
MASTERBATCH
COMPOUNDING



Benefits

- Uniform polymer flow to die plate
- Insensitive to melt flow variations
- Rapid blade and die plate removal
- Simple, user-friendly operation
- Easy clean-out
- Fast start-ups
- Reduced scrap
- Reduced power consumption
- CE compliant

Features

- Hot die face cutting
- Flexible knife blades require no adjustment
- Open water trough
- Fully guarded and electrically interlocked control system
- Integral dryer blower
- Independent pellet cut
- Fines management systems allows on-the-fly changes of filters

Xaloy's Water Ring Pelletizing Systems offer a modern, cost-effective method of pelletizing a wide range of unfilled and filled thermoplastic polymers.

The Water Ring Hot Die Face ensures a consistent, uniform pellet and is insensitive to short term polymer flow interruptions. Pellets are cut and immediately quenched in a unique cooling chamber design that transfers the pellet slurry to the spin dryer. An integral dryer blower is standard for improved drying efficiency. Typical applications include polymer reclaim, compounding, color concentrates and polymerization.

Simple, trouble-free cutting.

Xaloy's advanced cutter head design evenly distributes molten polymer to the die. Since pellets are cut in air, there are no strands to drop, nor will die holes freeze off in the event of momentary flow disruption.

Efficient pellet cooling.

Submersion of the pellet in the water slurry system provides highly efficient heat transfer. Water temperature and residence time can be varied to accommodate specific resin cooling requirements.

Fines management.

All circulating water is continuously filtered through high-capacity filters fitted to the dewatering and dryer drain lines. Filters can be easily changed or cleaned without tools or line shutdown.

www.xaloy.com

XALOY[®]

every pellet knows our name™

EXTRUSION

1291 19th Street Lane NW
Hickory, NC 28601
Tel: 828-326-9888
Toll-free: 800-457-7550
Fax: 828-326-8882

INJECTION

102 Xaloy Way
Pulaski, VA 24301
Tel: 540-980-7560
Toll-free: 800-816-7711
Fax: 540-980-5670

EUROPE

Xaloy Europe GmbH
Richard-Wagner-Str. 21
D-74172 Neckarsulm
Germany
Tel: +49 (0) 7132-99935-0
Fax: +49 (0) 7132-99935-99

ASIA

Xaloy (Asia) Thailand, Ltd.
700/446 Moo7 Amatanakorn Ind. Estate
T.Don Hua Roh, A.Muang, Chonburi
Chonburi 20000
Tel: +66 (38) 717 084
Fax: +66 (38) 454 377

JAPAN

Xaloy Japan Ltd.
74-1 Yamashita-cho, Naka-Ku
Yokohama, 231-0023
Tel: +81-45-661-3508
Fax: +81-45-661-3507

WRP-35/36S In-Line Pelletizer

Specifications

Our worldwide presence includes sales and service offices located in the United States, Europe, Thailand, Japan, China and India and a global network of agents geographically positioned to serve customers throughout the world.

| Model Description | 35s | 36s |
|------------------------------------|-----------------------|-----------------------|
| Nominal Rate LB/HR (KG/HR) | 1800-3500 (816-1587) | 3000-5000 (1361-2268) |
| Max Cutter RPM | 3600 | 3600 |
| Electric Supply | 460/3/60 | 460/3/60 |
| Cutter Motor HP | 3 | 7.5 |
| Circulating Pump Motor HP | 1.5 | 5 |
| Slurry Pump HP | 7.5 | 3 |
| Dryer Motor HP | 5 | 5 |
| Die Body Heaters KW | 3.0 | 6.0 |
| Die Plate Heaters KW | 1.25 | 2.8 |
| Circulating Water Flow GPM (L/MIN) | 125 (473) | 350 (1325) |
| Temperature Zones: | | |
| Die Plate | 1 | 1 |
| Body | 1 | 1 |

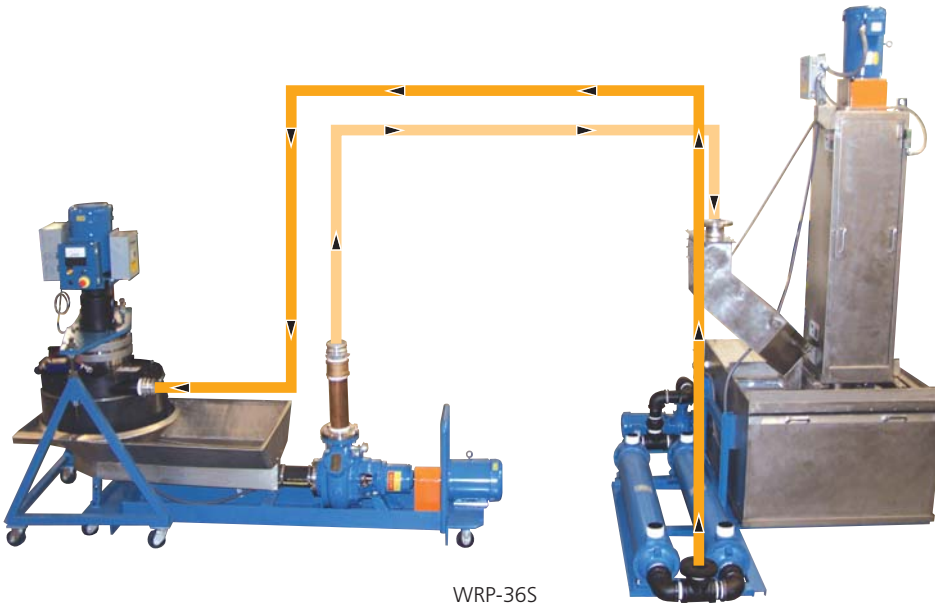
Pelletizer Options

- Upstream cutter head adapter
- Cutter head support cart
- Heat exchanger and temperature regulating valve
- Pellet discharge duct
- Dryer sound abatement package
- Dryer wear resistance package

Testing Facilities

To demonstrate the ease of operating the Water Ring Pelletizer on customer specific resins, Xaloy maintains two process laboratories. Customers are encouraged to visit our lab for a demonstration.

For specifics on how the Xaloy WRP can improve quality and productivity in your plant, call 800-457-7550.



WRP-36S



WRP-35S

XALOY®

every pellet knows our name™

www.xaloy.com

EXTRUSION

1291 19th Street Lane NW
Hickory, NC 28601
Tel: 828-326-9888
Toll-free: 800-457-7550
Fax: 828-326-8882

INJECTION

102 Xaloy Way
Pulaski, VA 24301
Tel: 540-980-7560
Toll-free: 800-816-7711
Fax: 540-980-5670

EUROPE

Xaloy Europe GmbH
Richard-Wagner-Str. 21
D-74172 Neckarsulm
Germany
Tel: +49 (0) 7132-99935-0
Fax: +49 (0) 7132-99935-99

ASIA

Xaloy (Asia) Thailand, Ltd.
700/446 Moo7 Amatanakorn Ind. Estate
T.Don Hua Roh, A.Muang, Chonburi
Chonburi 20000
Tel: +66 (38) 717 084
Fax: +66 (38) 454 377

JAPAN

Xaloy Japan Ltd.
74-1 Yamashita-cho, Naka-Ku
Yokohama, 231-0023
Tel: +81-45-661-3508
Fax: +81-45-661-3507